

Control iD

Installation Guide iDFace and iDFace Max Support Kit



Thank you for acquiring the support kit for facial identification access controller.

For detailed information on the use of your new support kit, access:
<https://www.controlid.com.br/userguide/idface-support-kit-en.pdf>

By using Control iD's products, you are accepting the Terms and Conditions of Use and the Information on Personal Data Protection available on: www.controlid.com.br/legal/acessoeponto.pdf

Installation Guide

iDFace and iDFace Max Support Kit

Mechanical Installation

1. Tools needed

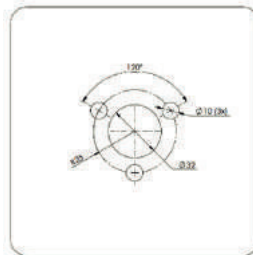
To install the iDFace Kit in the turnstile, the following items will be needed: drill, bits (diameter of 3mm, 6mm and 10mm), hole saw (diameter of 35mm), rasp, 2mm and 2.5mm hex key, Phillips screwdriver, 8mm thin spanner (items not provided by Control iD).

2. iDFace Kit Materials

Organize the parts and check if all parts needed are present and according to the quantity listed below:

- DIN7991 M3x10mm bolt (4x)
- DIN934 M5 nut (3x)
- DIN 125 Cut Washer Dia. 5mm (3x)
- DIN 127 Lock Washer Dia. 5mm (3x)

- Drilling template:



- Support Subset (1x):



Installation Guide iDFace and iDFace Max Support Kit

- Support Flange (1x):



- Facial Identification Access Controller Mounting Piece Subset (1x):



iDFace

- Facial Identification Access Controller Mounting Piece Subset (1x):



iDFace Max

- Mounting Piece Support (1x):



iDFace Max

- Adhesive Hole Cover (4x):



- Facial Left Protection (1x):



- Facial Right Protection (1x):



Installation Guide iDFace and iDFace Max Support Kit

3. Installation

3.1 Mount the devices and mark the positions of the holes according to the figure below:

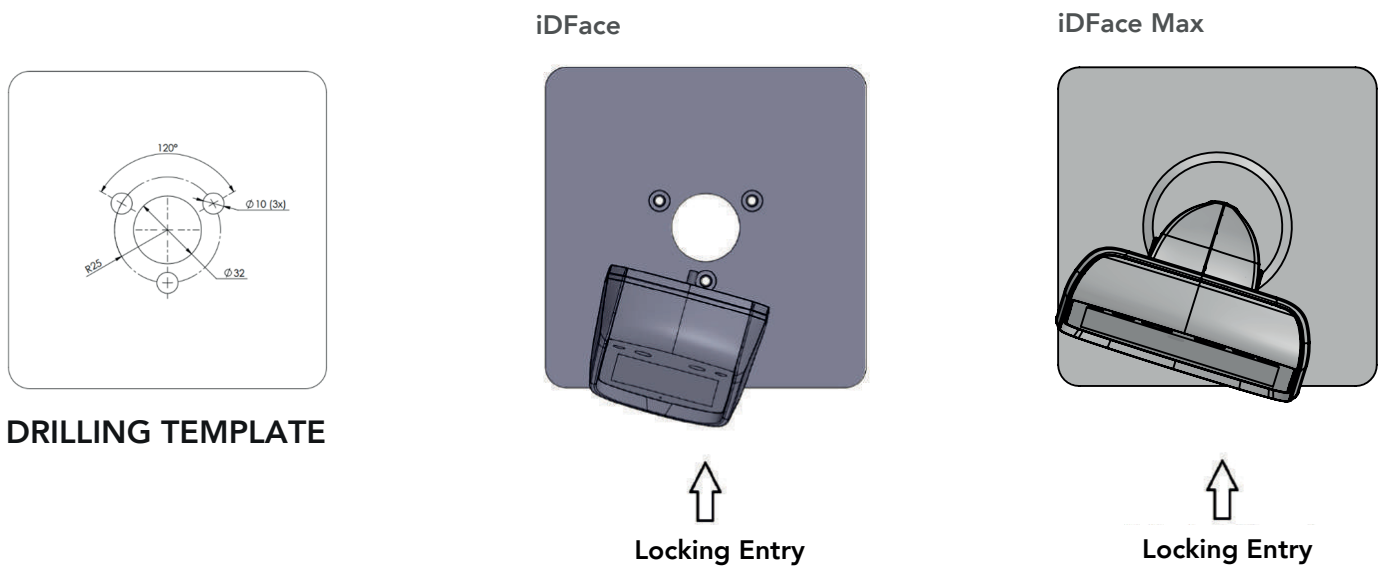


Figure 1

3.2 Execute the drillings:

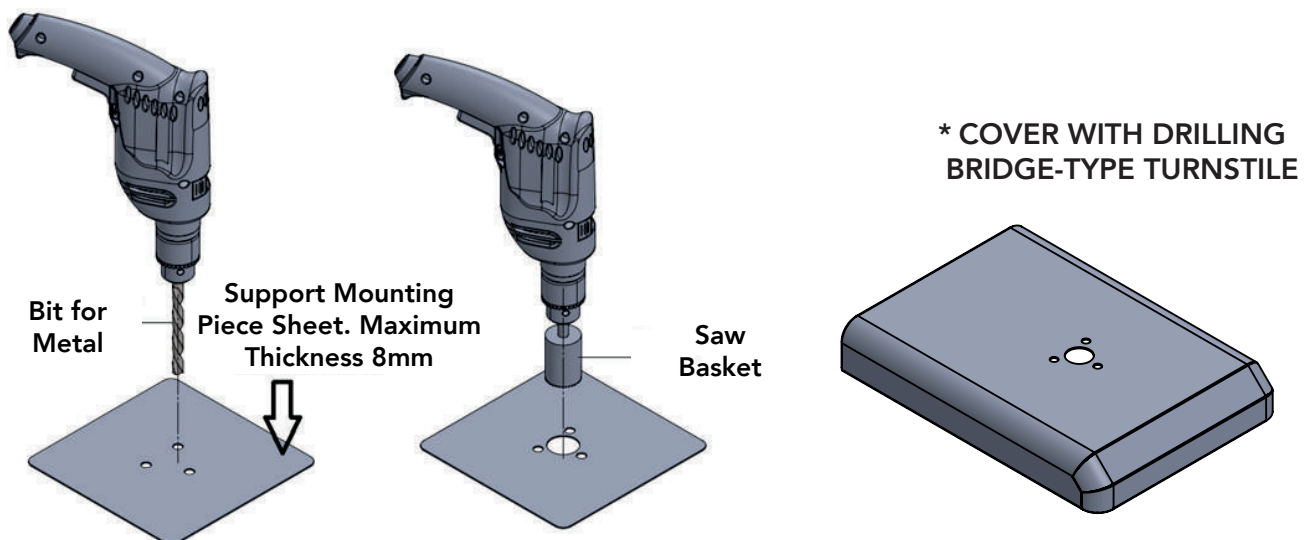


Figure 2

* If you have acquired iDBlock Bridge-Type with iDFace Max, it is not necessary to drill the cover, since the product is already drilled.

Installation Guide

iDFace and iDFace Max Support Kit

3.3 Assemble the Support Subset:

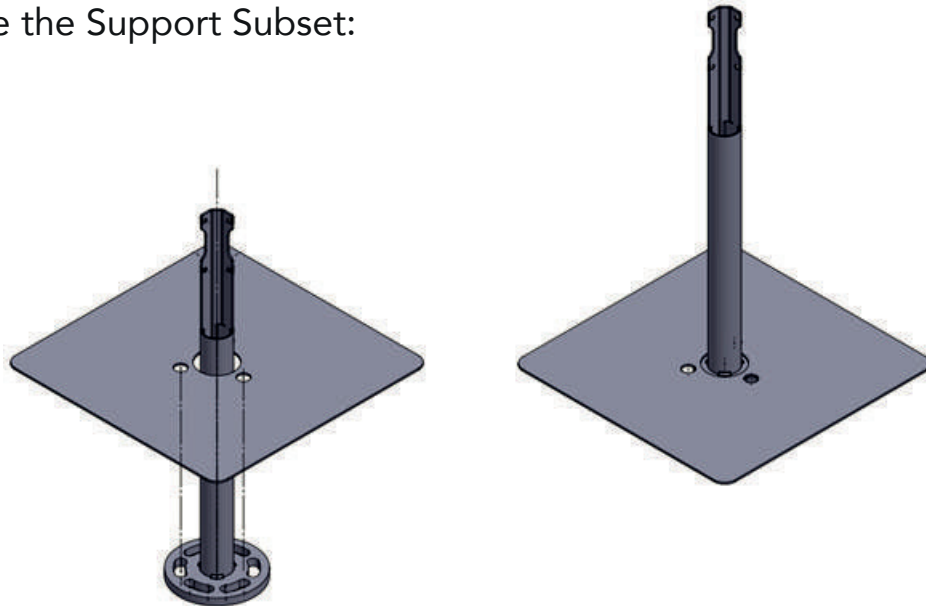


Figure 3

3.4 Mount the Support Flange:

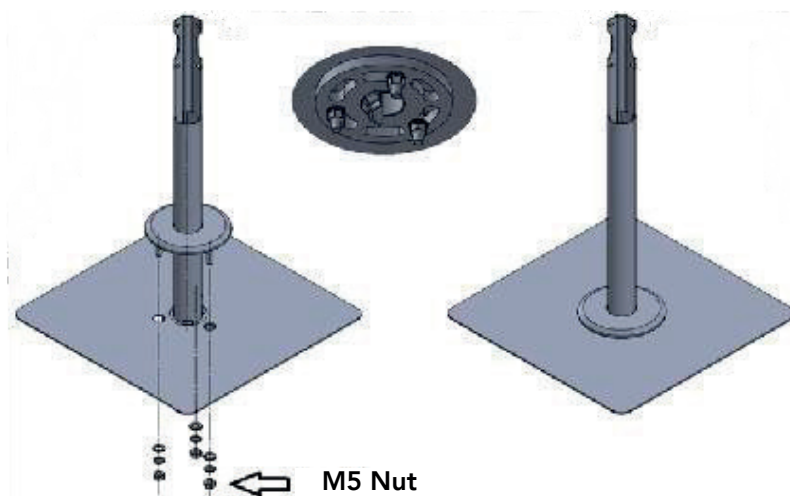


Figure 4

Installation Guide

iDFace and iDFace Max Support Kit

3.5 Bolt the Mounting Piece Support:

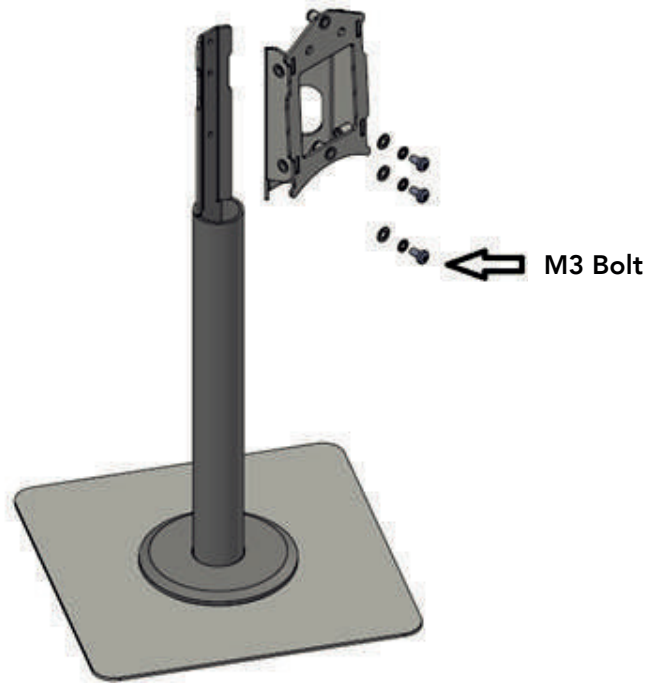
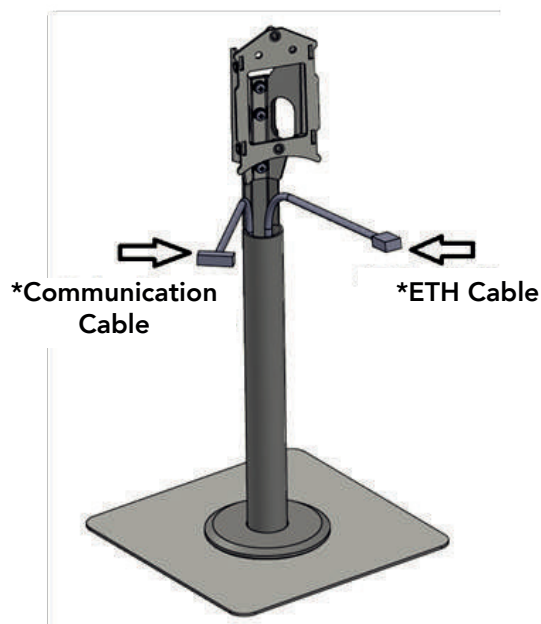


Figure 5

3.6 Cable Passage:



*Cables not supplied by Control iD.

Figure 6

Installation Guide

iDFace and iDFace Max Support Kit

3.7 Mount Protections and Facial Identification Access Controller Fixing:

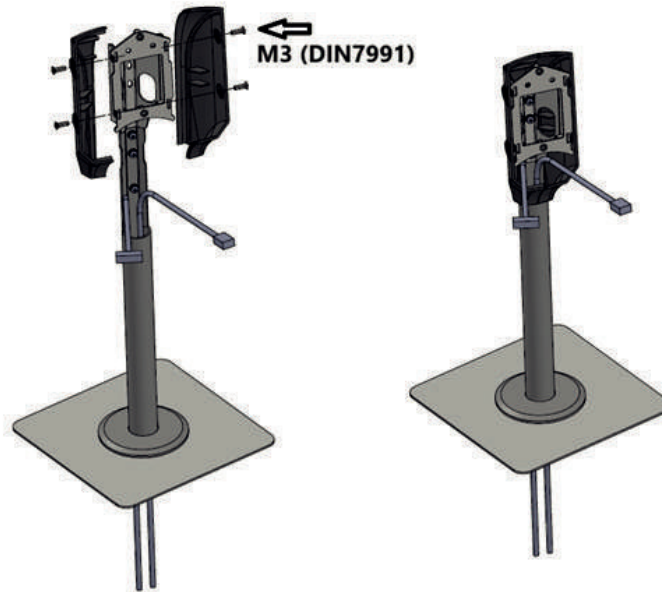


Figure 7

3.8 Mount Support of the Facial Identification Access Controller Fixing:

iDFace

iDFace Max

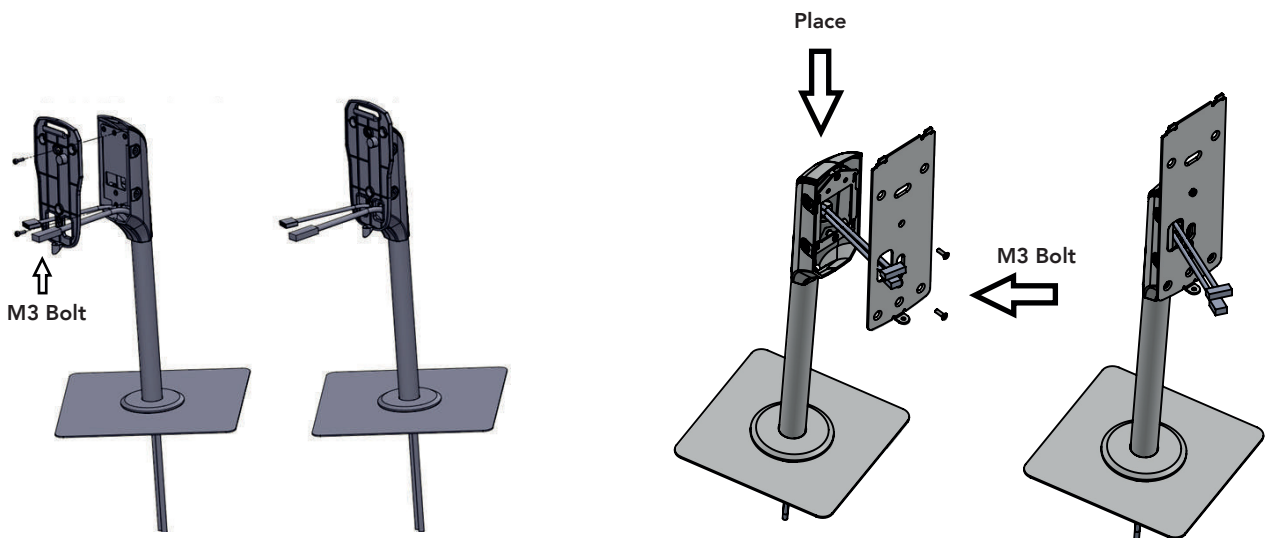


Figure 8

Installation Guide iDFace and iDFace Max Support Kit

3.9 Mount the Facial Identification Access Controller Fixing:

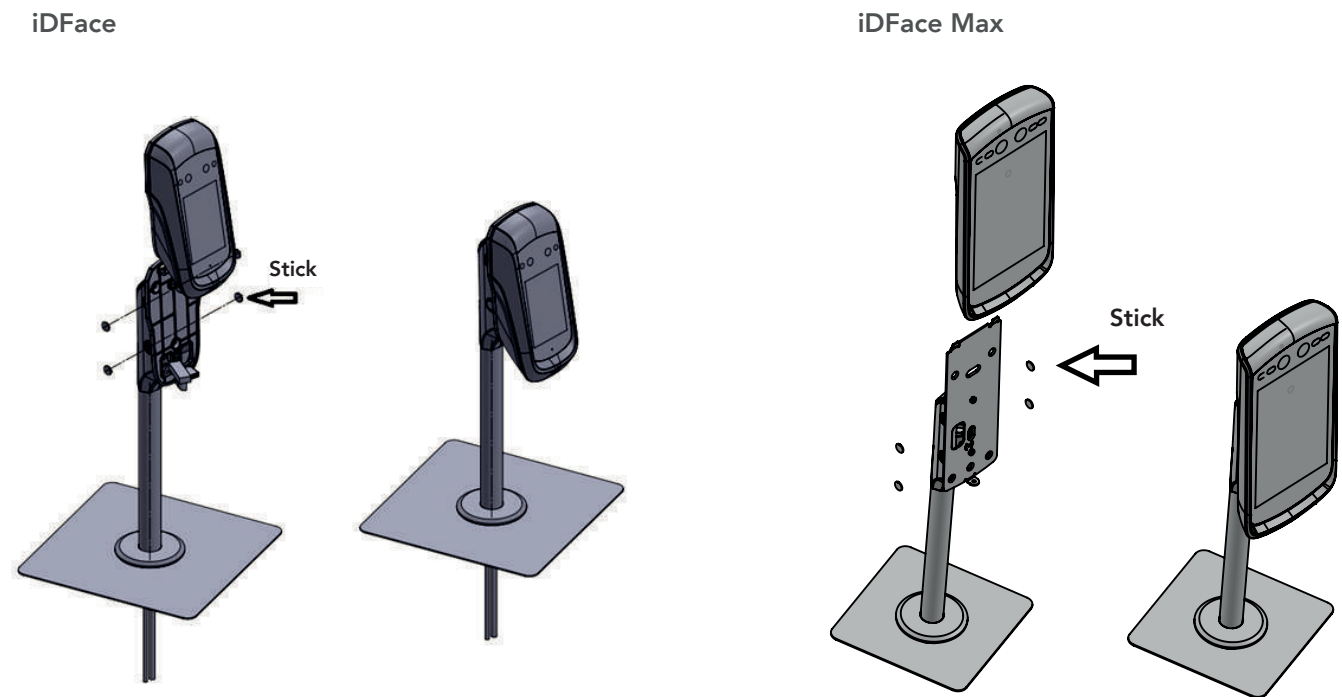


Figure 9